

# SWITCHING POWER SUPPLY 60W 12V 24V 48V IP67 WATERPROOF

TECHNICAL SHEET

AZ-67-12/24/4860



**KEYLIGHT**

SPAIN

PRODUCTOS DE ILUMINACION

## FEATURES

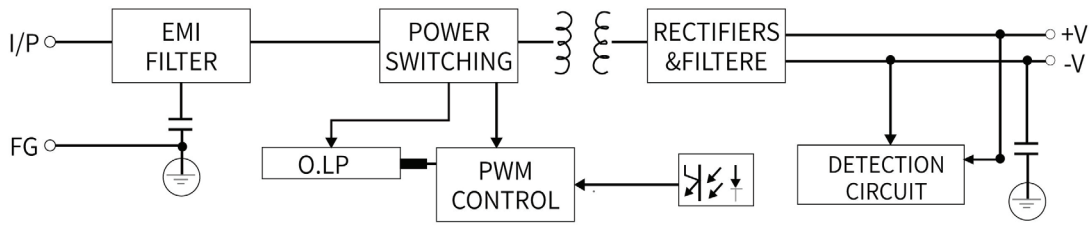
- . 100- 240V AC input
- . Single Output
- . 90% high efficiency
- . 100% full load bur-in test
- . Protection: OTP,OLP,OVP,SCP
- . CE FCC Certified
- . 3 year warranty



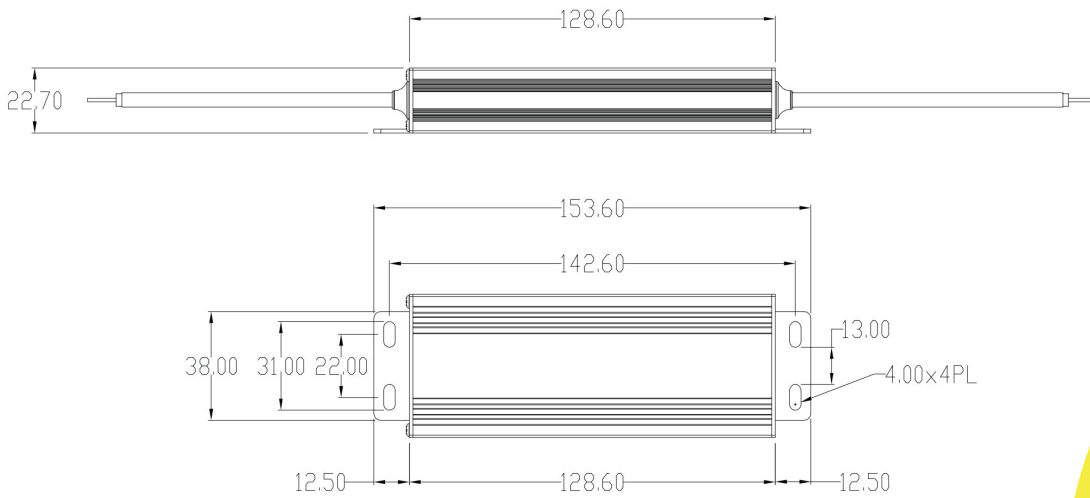
## SPECIFICATIONS

Product Code		AZ - 67 - 1260	AZ - 67 - 2460	AZ - 67 - 4860
Output	DC Voltage	12V	24V	48V
	Rated Current	5A	2,5A	1,25A
	Current Range	0~5A	0~2,5A	0~1,25A
	Voltage tolerance	±5%	±5%	±5%
	Rated Power	60W	60W	60W
	Ripple & Noise	<120mVp-p	<240mVp-p	<240mVp-p
	Start up time	<1500 ms, 30 ms / 230VAC		
Input	Input voltage range	100 - 240 VAC		
	Frequency Range	50 ~60Hz		
	AC Current	1.02A / 115VAC; 5.01A / 230VAC		
	Efficiency	88%	90%	90%
	No load consumption	<0.5W		
Protection	Over Load	Above 110% - 150% of rated power		
		Shut-down output voltage, auto recovery after fault condition is removed		
	Over Voltage	Above Max. Voltage (105% of rated voltage)		
		Shut-down output voltage, auto recovery after fault condition is removed		
Over Temperature	Over 130°C detected on main IC control			
	Shut-down output voltage, auto recovery after fault condition is removed			
Ambiant	Working Temp. & humidity	"- 20°C~+60°C, 20%~90%RH		
	Storage temp. & humidity	"- 40°C~+85°C, 10%~95%RH		
Tesings	Withstand voltage	I/P-O/P: 3KVAC/1min; I/P-F/G: 1.5KVAC/1min; O/P-F/G: 0.5KVAC/1min;		
	Safety	GB4943 ;EN62608-1		
	EMC	EN55032:2015/AC:2016 EN61000-3-3:2013 EN55024:2010+A1:2015		
Other	Lifespan	20000 hrs		
	Demension(L*W*H)	128*50*22mm (L*W*H)		
	Packing	0.35kg/pcs, 50 pcs/18kg/CTN		
Note	1, The above mentioned data were measured at 230 VAC input and 25°C. 2, Dis- connect the AC input before checking any mal-phenomenons. 3, Make sure the INPUT&OUPUT were in right situation before connected to power supply. 4, Datasheet for reference only. We suggest you take sampling before mass orders.			

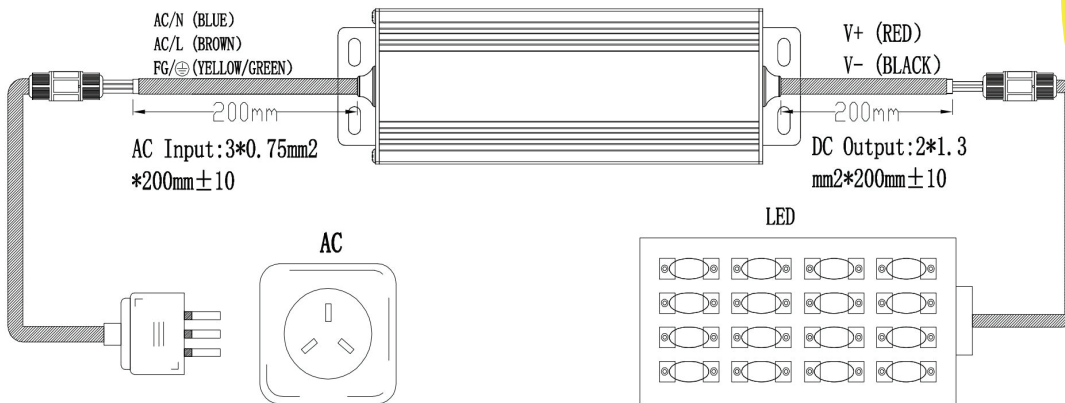
## Block Diagram



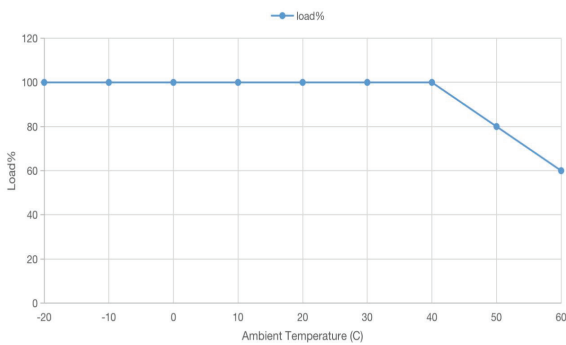
## Machanical Specification



## Wiring Diagram



## Temperature Derating Curve



## Output Load VS Input Voltage

